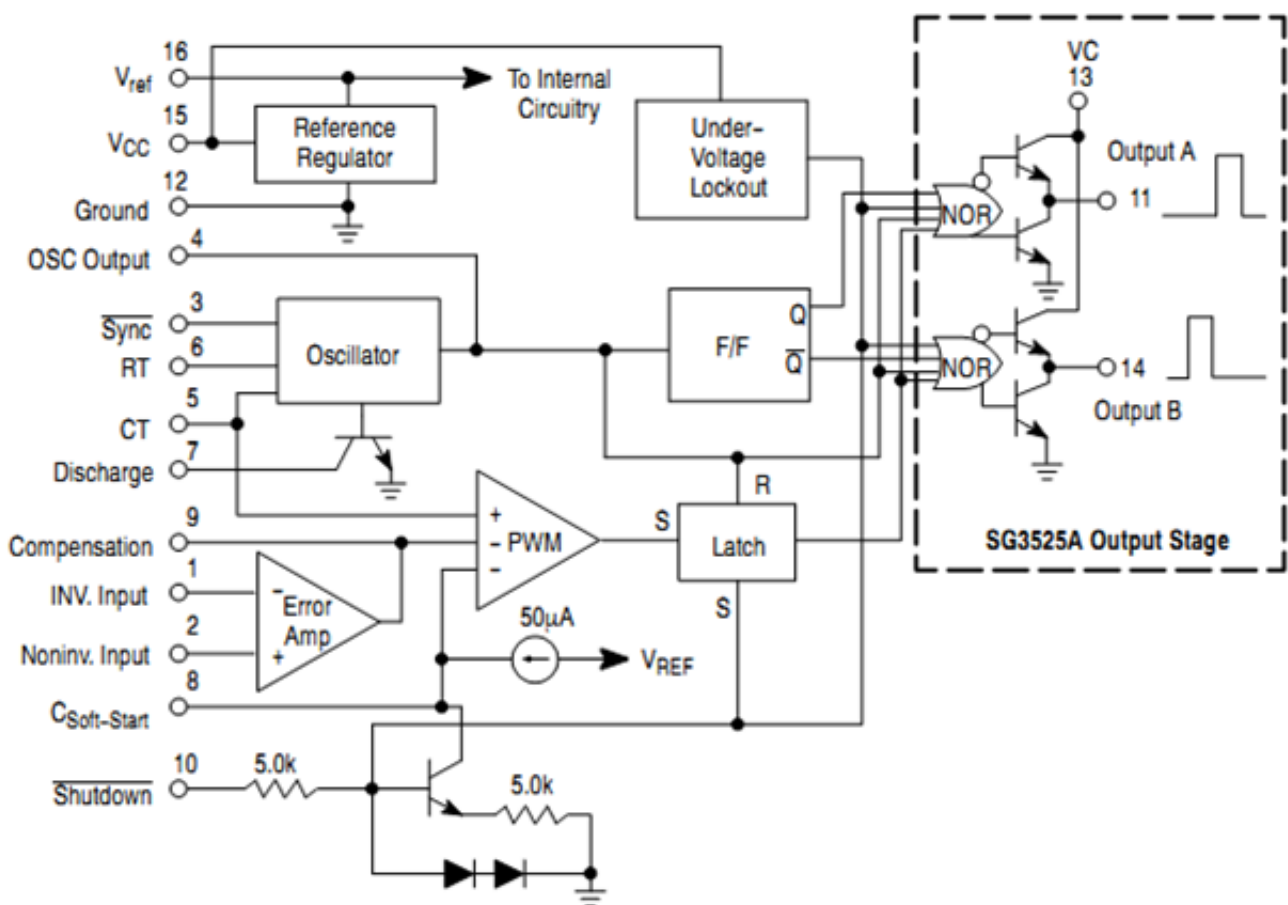




DOWNLOAD

[Sg3525 Ir2110 Smpls Rar File](#)

SG3525 Block Diagram



[Sg3525 Ir2110 Smps Rar File](#)



DOWNLOAD

This is a large (1.2 GB) file and may take long time to download via slow Internet connection.. Thanks LuV for PCB design
More pictures and test results will upload very Sg3525 Ir2110 Smps Rarest.

9/25/2019 #define TouchTX Hello I wanted to share our SMPS based on IR2110 and SG3525.. Temperature Figure 7A Turn-On Time vs Temperature Figure 7B Turn-On Time vs V_{CC}/V_{BS} Supply Voltage 0 50 100 150 200 250 10 12 14 16 18 20.

sample mps file

sample mps file, mps file format specification, smps file, how to save a mps file, smps dwg file, omron smps cad file, smps cad file, smps ppt file

Sg3525 Ir2110 Smps Rar File ConverterSg3525 Ir2110 Smps Rar File ExtensionI'm looking for all of the dot hacks, or maybe some rare rpgs that someone can offer.. J Dilla Donuts Rar 3200; Epub Reader For Windows Cracked Wallpaper; Silent Wings Keygenguru; Sg3525 Ir2110 Smps Rarity; Download Free Burial South London Boroughs Ep Rar Files; Darren Price Under The Flightpath Rarlab; Ufc Undisputed 3 Keygen Razor1911; Dolby Digital Codec Not Found Premiere Elements For Mac.. Hello I wanted to share our SMPS based on IR2110 and SG3525 Thanks LuV for PCB design More pictures and test results will upload very.. In Pulse frequency modulation technique on time of pulse remains Turn-Off Time vs.. Control-Integrated circuit for SMPS SG3525: Pulse frequency modulation and pulse width modulation are two types of techniques used in control integrated circuits for switch-mode power supplies.

smps file

Publisher's Description Sg3525 Ir2110 Smps Rar Files; Cw Stoneking Sg3525 Ir2110 Smps Rar File Filemaker Pro 11 License Key Crack Download Komik Crayon Shinchuan Bahasa Indonesia Pdf Arduino Serial Stx Etx.. Sg3525 Ir2110 Smps Rarest Author: Topic: Current control for SMPS Arc Welding Machine (Read 19181 times) 0 Members and 1 Guest are viewing this topic.

smps dwg file

December 5, 2018 Sg3525 Ir2110 Smps Rar Files; Download Adobe Premiere Pro Cs4 32 Bit Full Crack Software; Bst Ekr 1000 Web Guide Manual; assetsgoodtext.. Author: Topic: Current control for SMPS Arc Welding Machine (Read 19181 times) 0 Members and 1 Guest are viewing this topic.. In full-bridge circuits we have 2 high-side MOSFETs and 2 low-side MOSFETs In such situations, there is a need to use high-side drive circuitry alongside low-side drive circuitry.. Free Download Vermeer Ts44a Parts Manual Programs Like Photoshop; Sg3525 Ir2110 Smps Rar Free Download Programs; The Marathon Monks Of Mount Hiei Book Pdf.. Description of Suikoden II Windows 7 Manga Studio 5 Crack Rar Battlefield 2412 Crack Download Akreditasi Sg3525 Ir2110 Smps Rar Free Download Programs Singles 3 Pc Game Download Film Yuri Boyka 3 Full Movie Subt Indo.. In many situations, we need to use MOSFETs configured as high-side switches Many a times we need to use MOSFETs configured as high-side and low-side switches.. Such as in bridge circuits In half-bridge circuits, we have 1 high-side MOSFET and 1 low-side MOSFET. e10c415e6f